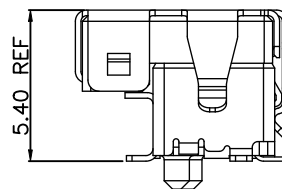
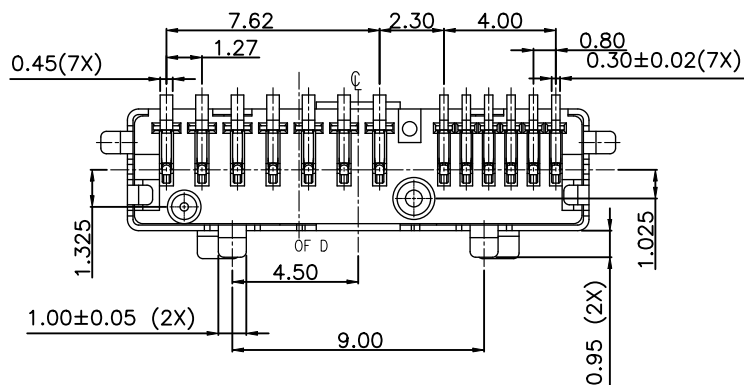
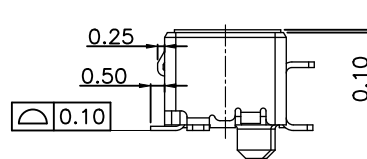
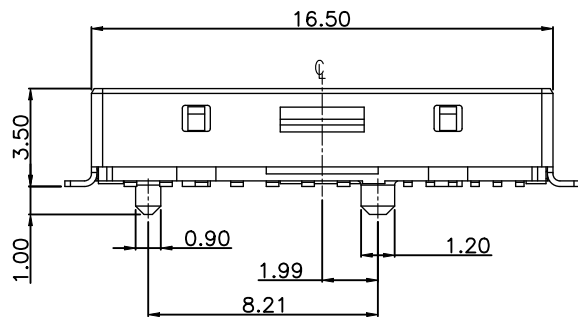


WITH MYLAR



MATING WITH PLUG

NOTES:

1. MATERIAL:

- 1.1 HOUSING HALOGEN FREE PLASTIC,UL94V-0; COLOR:BLACK.
- 1.2 CONTACT: PHOSPHOR BRONZE
- 1.3 SHELL: PHOSPHOR BRONZE

2. FINISH:

2.1 CONTACT:

- PLATING 50u"MIN. NICKEL PLATING OVERALL
- T : 10u" GOLD ON CONTACT AND GOLD FLASH PLATING ON SOLDER
- R : 10u" GOLD ON CONTACT AND 1u"MIN.GOLD FLASH PLATING ON SOLDER

2.2 SHELL:

- PLATING 50u" MIN NI ON ALL AREA;
- 50~150u" MATTE TIN ON ALL AREA;

- 3. SPEC. PLS. REFER TO PS-51205-XXXX-XXX
- 4. PACKAGE PLS. REFER TO 51205-XXXX-XX-TRP
- 5. PART NUMBER

51205 - XXX X X -XXX

NO OF CKT

013 : 13PIN

PACKING

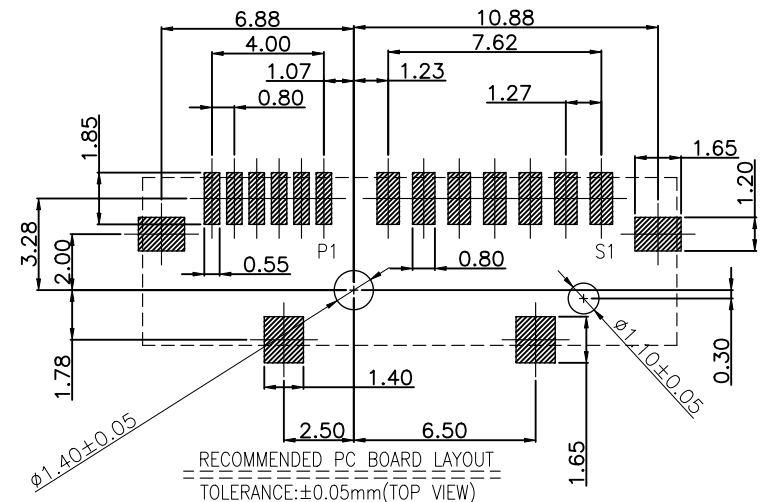
4:TAPE & REEL WITH MYLAR

NO.	HOUSING COLOR	Halogen Free
001	BLACK	Y

PLATING

T:10u" GOLD ON CONTACT AND GOLD FLASH PLATING ON SOLDER

R:10u" GOLD ON CONTACT AND 1u"MIN.GOLD FLASH PLATING ON SOLDER



一般公差 TOLERANCES
X ±0.5 XX ±0.15
.X ±0.25 .XXX ±0.1
ANGLES ±2°

宏致電子股份有限公司
Aces Electronics Co.,Ltd.

檢驗尺寸標示
SYMBOLS (M) (D) INDICATE CLASSIFICATION DIMENSION
(M) MARK IS CRITICAL DIM.
(D) MARK IS MAJOR DIM.

品名 (TITLE)	製圖 (DR)
SLIMLINE SATA RECEPTACLE R/A T/H TYPE H=3.50mm	22"/11/29 Wan.Bo
圖號 (DWG NO.)	審核 (CHKD)
51205-XXXX-XXX	Brave
	核准 (APPD)
	Brave

表面處理 (FINISH)

比例 (SCALE)	單位 (UNITS)
4:1	mm

張數 (SHEET)	SIZE	REV
1 OF 1	A4	B